

INSTALLATION INSTRUCTIONS

DESCRIPTION: Soft Rear Window

PART NUMBER: B4M-K750A-T0

MODEL: 2021+ Wolverine X2 and RMax2



⚠ WARNING

Please read and understand these instructions completely before installation to avoid possible injury, or damage to the accessory or vehicle.

- This weather enclosure is not intended to prevent injury during collisions or rollovers.
- Always wear a seat belt and a helmet when riding in this vehicle.

NOTICE:

Installation of this kit requires a torque wrench and should be performed by an authorized Yamaha dealer or a qualified technician. Do not tow the vehicle on an open trailer with this accessory installed, it is not designed for highway speeds.

WARRANTY INFORMATION:

In the United States, see your Yamaha dealer for a copy of the Yamaha Genuine Parts and Accessories Limited Warranty.

DEALER OR INSTALLER:

These instructions contain important information for future reference and *must* be given to the customer.

PARTS LIST:

No.	Part Number	Description	Qty
--	B4M-K750A-T0	Soft Rear Panel	--
①	B4M-K7559-V0	Rear Window Assembly	1
②	B4M-K7531-V0	P-Channel Left	1
③	B4M-K7532-V0	P-Channel Right	1
④	B8K-K7155-V0	Plastic Rivet	7
⑤	90111-06X11	M6x16mm Button Head Screw	3
⑥	90183-060A6	Spring Nut	3
⑦	B4M-F8383-V0	Hook and Loop Band	1
⑧	1XD-H1131-V0	Snap Lubricant	1

* Part supplied with kit only and not available separately.

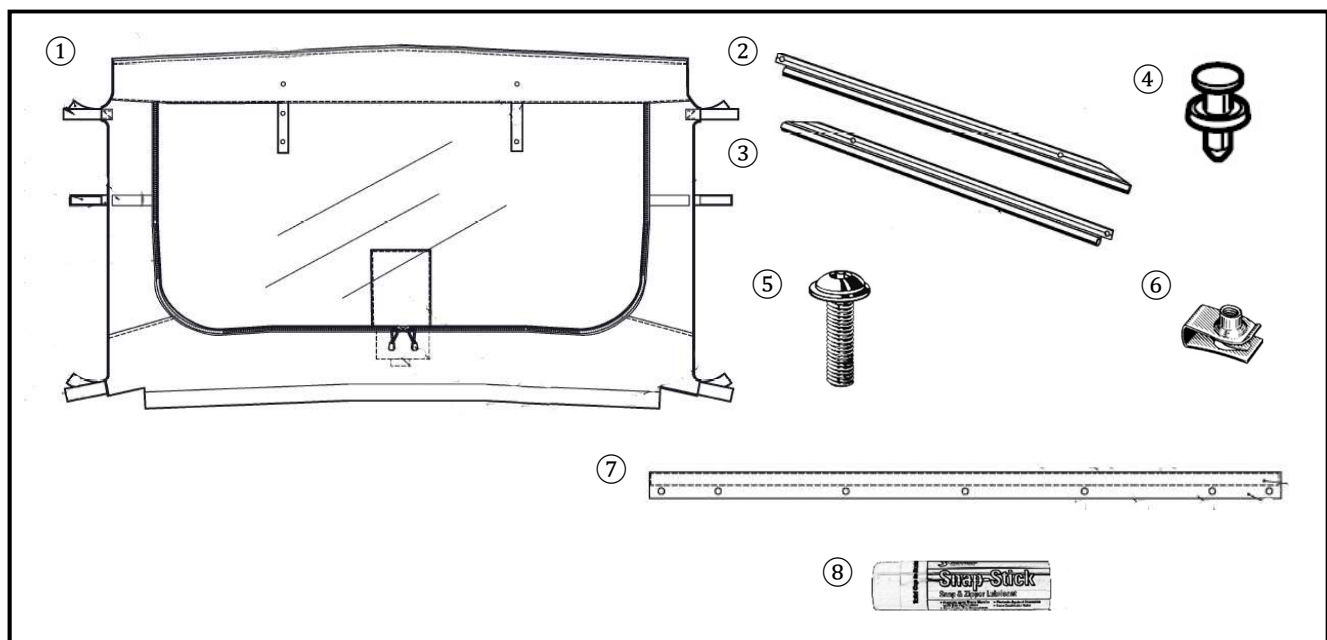


Fig. 1

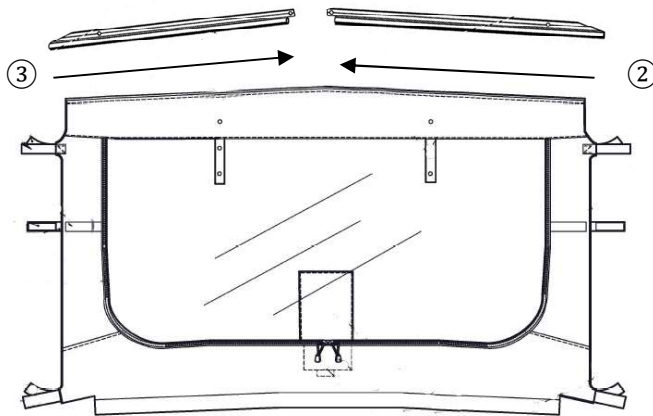


Fig. 2

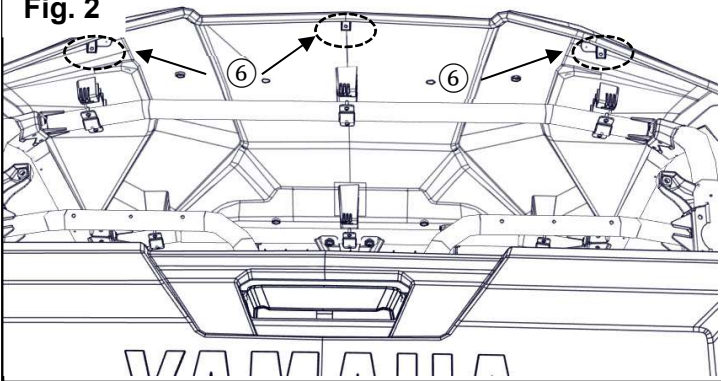
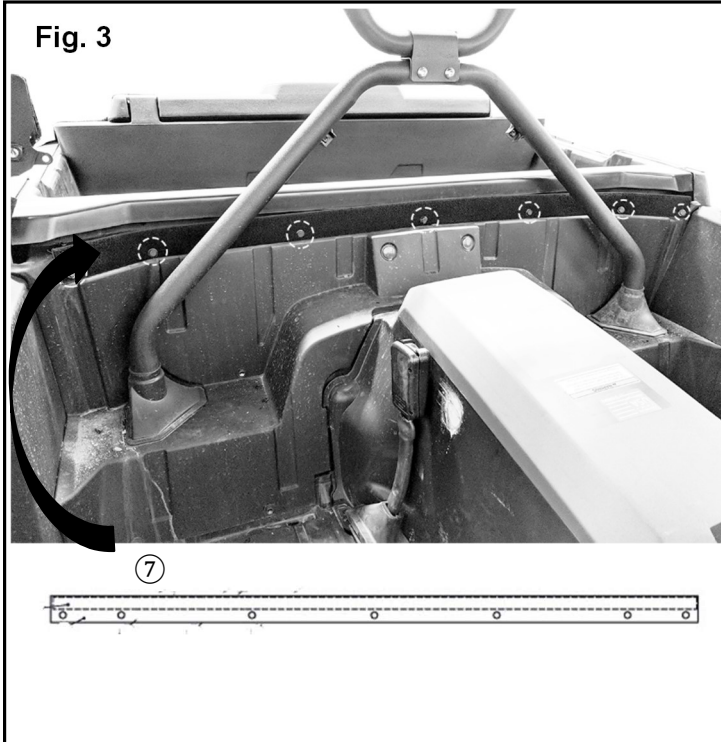


Fig. 3



PREPARATION:

- Place the vehicle on a secure and level surface.
- Set the parking brake.
- Clean the mounting surfaces before beginning installation.
- If this kit is being install with the Soft Side Covers, then the Soft Side Covers must be installed first.

PARTS REMOVAL:

1. Remove both seats and seat frames as per the service manual.

INSTALLATION:

1. Insert the three ⑥ Spring Nuts in the mounting locations on the rear of the Sun Top. (Fig. 2)
2. Slide on both ② and ③ P-Channel brackets onto the top of the ① Rear Window Assembly. The inner mounting holes will overlap and attach to the center hole in the Sun Top. (Fig. 1)
3. Lift the ① Rear Window Assembly in place and thread in three M6x16mm Button Head Screws. The center one first. Torque to 5Nm (0.5 m-kg or 3.6 lb-ft)
4. Lift the dump bed to the up position and allow the ① Rear Window Assembly to drape behind the cab wall.
5. Center the ⑦ Hook and Loop Band across the front of the rear wall. Tape the Hook and Loop Band in place. Mark the holes and drill a 5/16" hole for each marked location.
6. Press and insert seven ④ Plastic Rivets in place across the ⑦ Hook and Loop Band.
7. Pull the ① Rear Window Assembly back into the cab.
8. Attach the Hook and Loop Straps around the B Pillar ROPS and then attach the lower edge of the ① Rear Window Assembly across the ⑦ Hook and Loop Band.
9. Lower the dump bed and lock it into place.
10. Reinstall the seat frames and seats as per the Service manual.

MAINTENANCE:

Periodically, check torque and tightness on hardware and straps. Re-torque or re-tighten any loose hardware. If zippers or snaps become hard to operate, apply ⑧ Snap Lubricant to lubricate the side cover zippers and snaps.

CARE AND CLEANING:

Use a clean soft cloth and mild detergent with warm water to clean the side covers. Rinse and dry. Use Yamaha Windshield & Visor Plastic Cleaner & Conditioner (p/n ACC-PLASP-OL-11) to clean the plastic windows.

CUSTOMER SERVICE:

For further information see your Yamaha dealer.

ESTIMATED TIME TO INSTALL: 0.75 HRS.